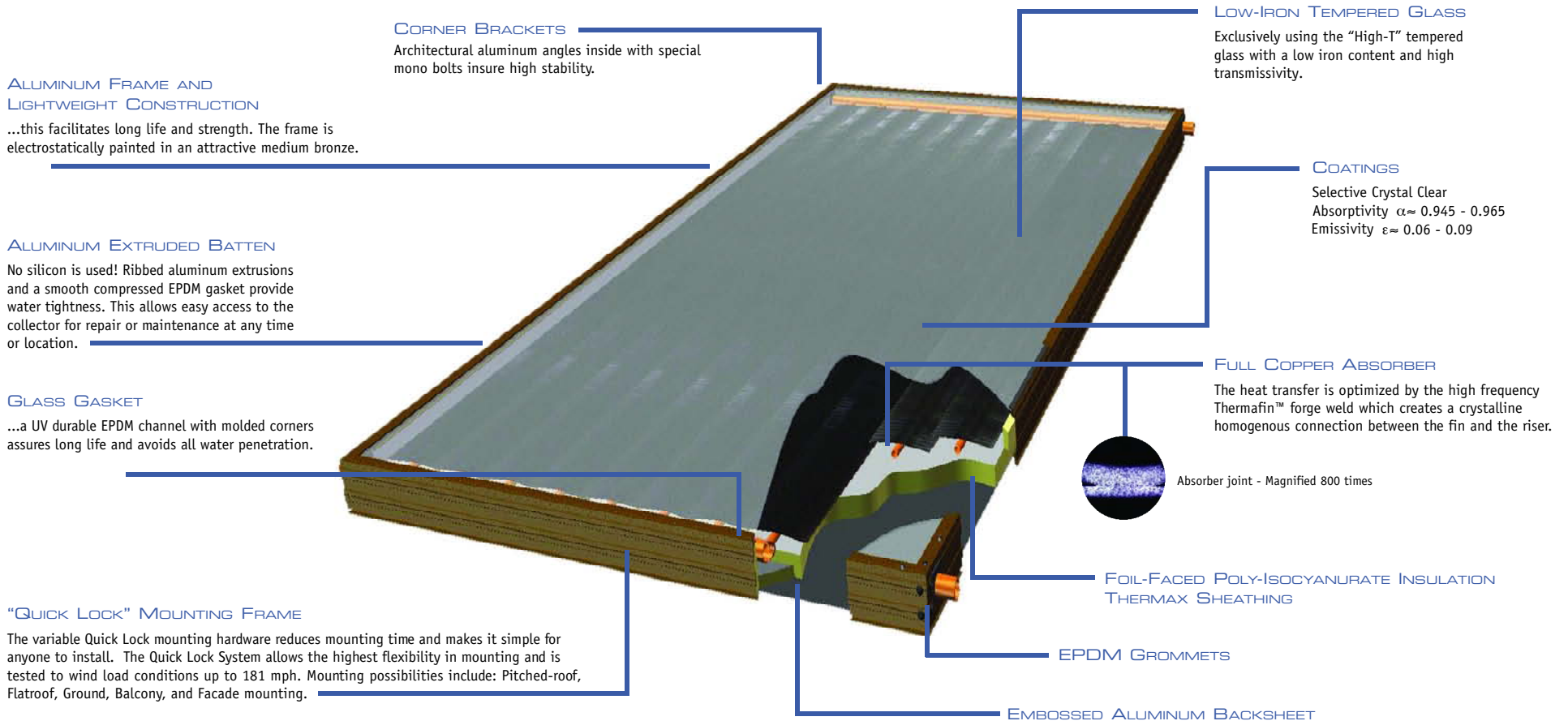


The SS Collector - Series

Miami Test Lab Certified up to 181 mph wind load



MANUFACTURED BY

solarskies™
engaging the sun



Solar Skies, Mfg, LLC
Alexandria, MN 56308
1-877-SOLAR-57
www.solarskies.com

S P E C I F I C A T I O N S

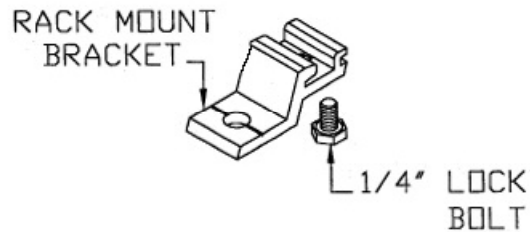
Collector	SS-21	SS-24	SS-26	SS-28	SS-32	SS-40
Gross Area (ft2)	20.87	23.81	25.35	27.97	31.91	39.79
Dimensions (in)	85.25 x 35.25	97.25 x 35.25	77.25 X 47.25	85.25 X 47.25	97.25 X 47.25	121.25 X 47.25
Transparent Area (ft2)	19.22	21.99	23.65	26.16	29.93	37.47
Weight (lb)	74	84	90	99	113	153

Tested: TUV (DIN 4757), RAPPERSWILL, ONORM M7714, FSEC, SRCC, Metropolitan Dade County, Miami Test Lab

SS Series Mounting Hardware

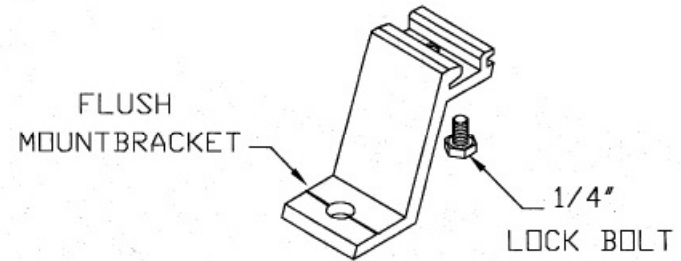
MT-RM Rack Mount

(4 PER KIT)



MT-FM Flush Mount

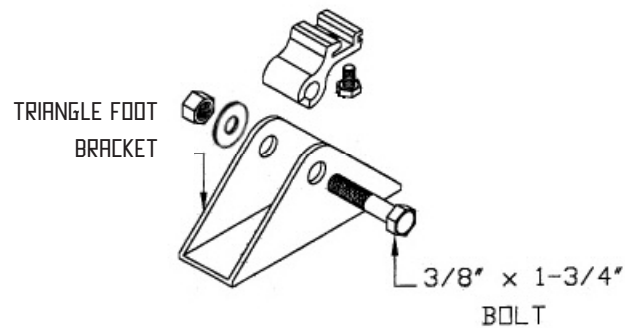
(4 PER KIT)



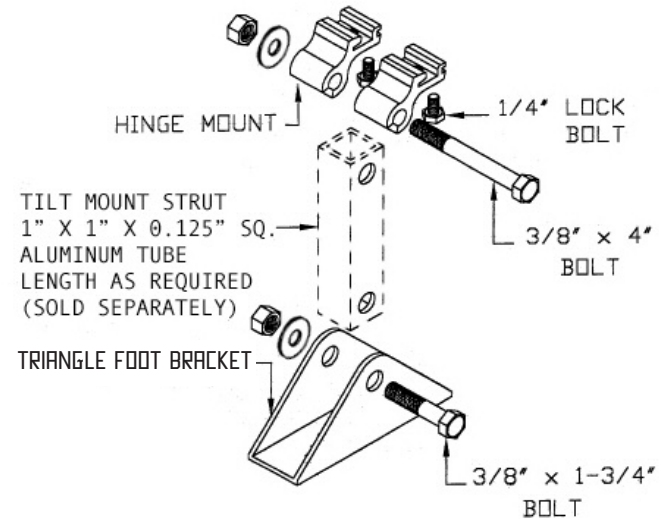
MT-TM Tilt Mount

(*strut not included)

(2 FRONT, 2 REAR PER KIT)*



FRONT



REAR