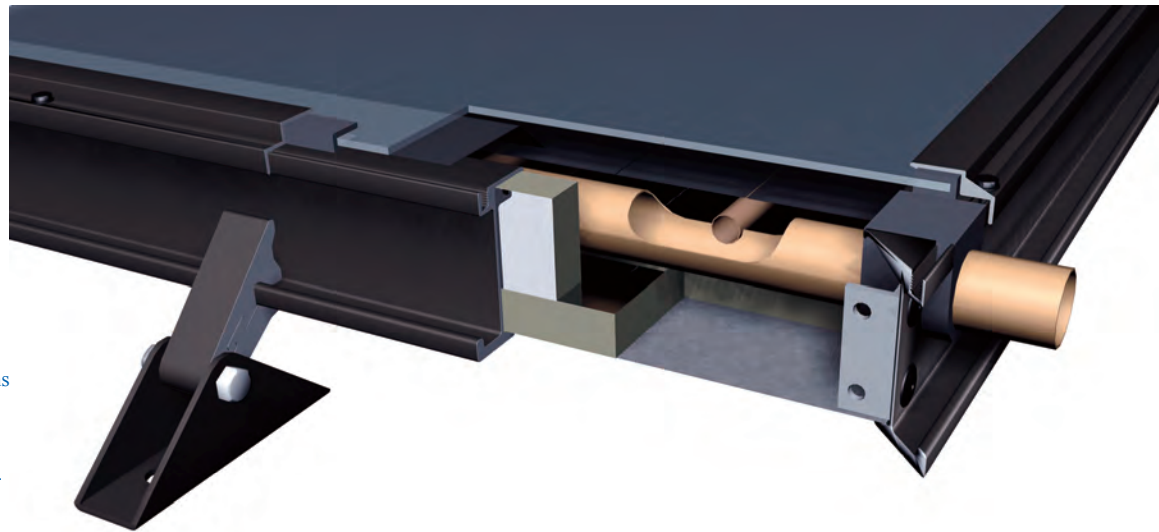


solarskiesTM
engaging the sun

NSC-Series Collectors

The North Star Collectors



Low-Iron Tempered Glass:
Exclusively using “High-T” tempered glass with low iron content and high transmissivity.

Full Copper Absorber:
The heat transfer is optimized by the high frequency Thermafin™ forge weld which creates an homogenous connections between the fin and the riser.

Coatings:
Selective Crystal Clear
Absorptivity $\alpha = 0.945-0.965$
Emissivity $\epsilon = 0.06-0.09$

Gaskets:
Seamless UV durable EPDM channel with over-molded corners to avoid water penetration

Aluminum Extruded Batten:
No silicone is used! Aluminum extrusions provide a smooth compression of the EPDM gasket for water tightness. This allows easy access to the collector for repair or maintenance at any time or location with simple hand tools.

Grommets:
Extruded Silicone Grommet

“Quick Lock” Mounting Frame:
The variable Quick Lock mounting hardware reduces mounting time and makes it simple for anyone to install. The Quick Lock System allows the highest flexibility in mounting and is tested to wind load conditions of 175 mph. Mounting possibilities include: Pitched-roof, Flat-roof, Ground, and Awning mounting.

Frame:
Aluminum frame and I-Beam construction facilitates long life and strength. The frame is anodized with an attractive architectural Black-Bronze HC-II finish.

Corner Brackets:
Architectural aluminum angles inside with special mono-bolt rivets insure high strength and stability.

Insulation:
Foil Faced Poly-Isocyanurate, Flame-Rated Insulation

Back Sheet:
Embossed aluminum riveted to the frame for added strength and durability.

30 + YEAR DESIGN LIFE - 10 YEAR WARRANTY - MADE IN THE USA

SPECIFICATIONS

Collector	NSC-21	NSC-24	NSC-26	NSC-28	NSC-32	NSC-40
Length (in)	86.0	98.0	78.0	86.0	98.0	122.0
Width (in)	36.0	36.0	48.0	48.0	48.0	48.0
Height (in)	3.125	3.125	3.125	3.125	3.125	3.125
Gross Area (ft ²)	21.50	24.50	26.00	28.50	32.70	40.70
Transparent Area (ft ²)	18.9	21.6	23.3	25.8	29.5	36.9
Dry Weight (lb)	76	87	91	102	116	159

MANUFACTURED BY
solarskiesTM
engaging the sun

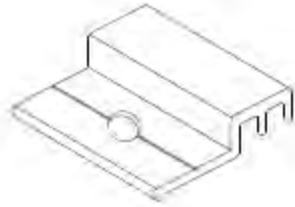


Solar Skies, Mfg, LLC
Alexandria, MN 56308
1-877-SOLAR-57
www.solarskies.com

NSC-Series Mounting Hardware

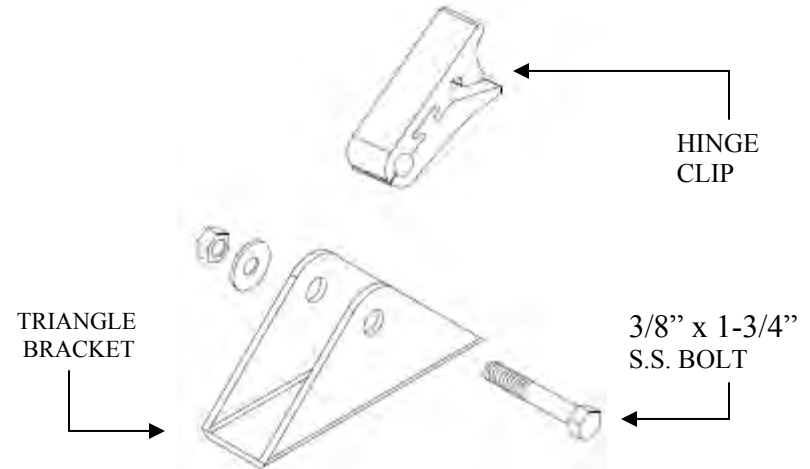
MT-TM SC Rack Mount

(4 Per Kit)



MT-TM SC Flush Mount

(4 Per Kit)



MT-TM SC Tilt Mount

(2 Front, 2 Rear Per Kit)

